

Keyboard Drawers

Accuride®
from **HÄFELE**



*Keyboard and mouse not included

Standard Keyboard System

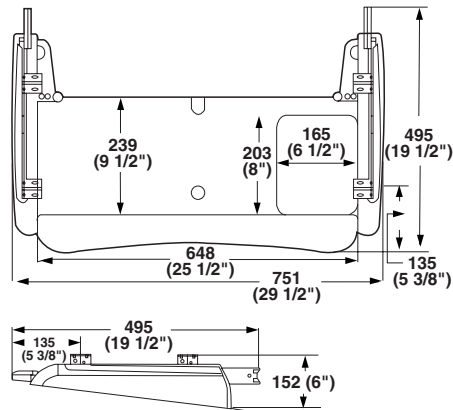
Model 200

- weight capacity 75 lbs.
- 3/4 extension slides
- tray tilt, fixed at - 7°
- detent in the open and closed position.

Finish: steel, foam, ABS molded plastic, black

Cat. No.	632.52.300
----------	------------

Packing: 1 pc.



*Keyboard and mouse not included

Deluxe Keyboard System

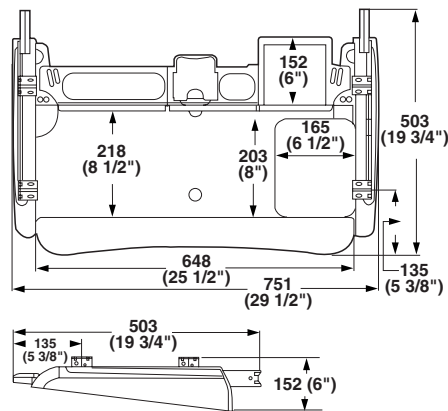
Model 300

- weight capacity 100 lbs.
- full extension slides
- tray tilt, adjusts at - 7°, - 3.5° and flat (0°)
- intermediate detent as well as in open and closed position.
- rear storage compartments

Finish: steel, foam, ABS molded plastic, black

Cat. No.	632.52.310
----------	------------

Packing: 1 pc.



HÄFELE



Applications:

- Occasional users
- Home office
- Education, learning and training centers
- Heavy-use typing/data entry

- Sleek curvilinear look.
- Slides are fully concealed, no rough or exposed edges.
- Removable palm rest allows unit to accommodate virtually any size keyboard.
- Extra wide tray design provides ample mousing surface.
- Built-in cable management.
- Removable mouse pad for right or left handed mousing.
- Heavy duty adjustable brackets with 7 height adjustments.
- Brackets can mount facing in or out.

Tables, Legs, Casters, Levelers and Office Organization

Dimensional data not binding. We reserve the right to alter specifications without notice.

Dimensions in mm
Inches are approximate

TCH 04

1269